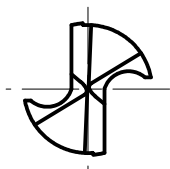
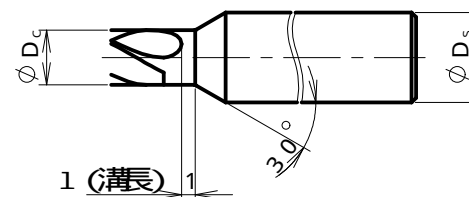
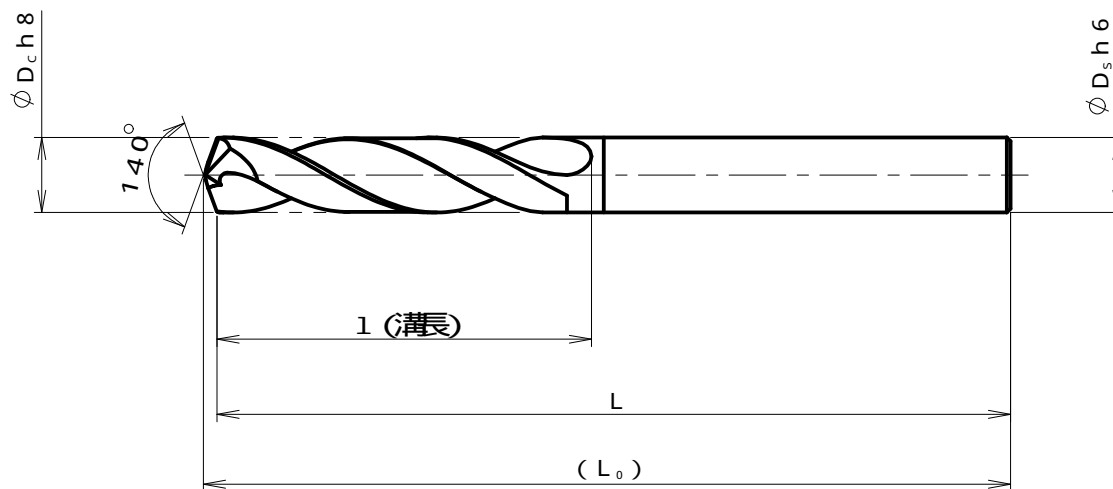


PVDコーティング  
(JC5015)



ねじれ角 : (30°)



$\phi D_c < \phi D_s$ の場合

単位 : mm

作成日 2022 / 6 / 28

検図 林

TRUSCO. トラスコ中山株式会社

品名 ソリッドドリル

品番

形番	Dc	l	L	Lo	Ds
TRP2D0100S03	1.0	3.5	49	49.2	3
TRP2D0110S03	1.1	3.9	49	49.2	3
TRP2D0120S03	1.2	4.2	49	49.2	3
TRP2D0130S03	1.3	4.6	49	49.2	3
TRP2D0140S03	1.4	4.9	49	49.3	3
TRP2D0150S03	1.5	5.3	49	49.3	3
TRP2D0160S03	1.6	5.6	49	49.3	3
TRP2D0170S03	1.7	6.0	49	49.3	3
TRP2D0180S03	1.8	6.3	49	49.3	3
TRP2D0190S03	1.9	6.7	49	49.3	3
TRP2D0200S03	2.0	7.0	49	49.4	3
TRP2D0210S03	2.1	7.4	49	49.4	3
TRP2D0220S03	2.2	7.7	49	49.4	3
TRP2D0230S03	2.3	8.1	49	49.4	3
TRP2D0240S03	2.4	8.4	49	49.4	3
TRP2D0250S03	2.5	8.8	49	49.5	3
TRP2D0260S03	2.6	9.1	49	49.5	3
TRP2D0270S03	2.7	9.5	49	49.5	3
TRP2D0280S03	2.8	9.8	49	49.5	3
TRP2D0290S03	2.9	10.2	49	49.5	3
TRP2D0300S03	3.0	10.5	49	49.5	3
TRP2D0310S04	3.1	10.9	49	49.6	4
TRP2D0320S04	3.2	11.2	49	49.6	4
TRP2D0330S04	3.3	11.6	49	49.6	4
TRP2D0340S04	3.4	11.9	49	49.6	4
TRP2D0350S04	3.5	12.3	49	49.6	4
TRP2D0360S04	3.6	12.6	49	49.7	4
TRP2D0370S04	3.7	13.0	49	49.7	4
TRP2D0380S04	3.8	13.3	49	49.7	4
TRP2D0390S04	3.9	13.7	49	49.7	4
TRP2D0400S04	4.0	14.0	49	49.7	4

形番	Dc	l	L	Lo	Ds
TRP2D0410S06	4.1	14.4	64	64.7	6
TRP2D0420S06	4.2	14.7	64	64.8	6
TRP2D0430S06	4.3	15.1	64	64.8	6
TRP2D0440S06	4.4	15.4	64	64.8	6
TRP2D0450S06	4.5	15.8	64	64.8	6
TRP2D0460S06	4.6	16.1	64	64.8	6
TRP2D0470S06	4.7	16.5	64	64.9	6
TRP2D0480S06	4.8	16.8	64	64.9	6
TRP2D0490S06	4.9	17.2	64	64.9	6
TRP2D0500S06	5.0	17.5	64	64.9	6
TRP2D0510S06	5.1	17.9	68	68.9	6
TRP2D0520S06	5.2	18.2	68	68.9	6
TRP2D0530S06	5.3	18.6	68	69.0	6
TRP2D0540S06	5.4	18.9	68	69.0	6
TRP2D0550S06	5.5	19.3	68	69.0	6
TRP2D0560S06	5.6	19.6	68	69.0	6
TRP2D0570S06	5.7	20.0	68	69.0	6
TRP2D0580S06	5.8	20.3	68	69.1	6
TRP2D0590S06	5.9	20.7	68	69.1	6
TRP2D0600S06	6.0	21.0	68	69.1	6
TRP2D0610S08	6.1	21.4	73	74.1	8
TRP2D0620S08	6.2	21.7	73	74.1	8
TRP2D0630S08	6.3	22.1	73	74.1	8
TRP2D0640S08	6.4	22.4	73	74.2	8
TRP2D0650S08	6.5	22.8	73	74.2	8
TRP2D0660S08	6.6	23.1	73	74.2	8
TRP2D0670S08	6.7	23.5	73	74.2	8
TRP2D0680S08	6.8	23.8	73	74.2	8
TRP2D0690S08	6.9	24.2	73	74.3	8
TRP2D0700S08	7.0	24.5	73	74.3	8
TRP2D0710S08	7.1	24.9	73	74.3	8
TRP2D0720S08	7.2	25.2	73	74.3	8
TRP2D0730S08	7.3	25.6	73	74.3	8
TRP2D0740S08	7.4	25.9	73	74.3	8
TRP2D0750S08	7.5	26.3	73	74.4	8
TRP2D0760S08	7.6	26.6	73	74.4	8
TRP2D0770S08	7.7	27.0	73	74.4	8
TRP2D0780S08	7.8	27.3	73	74.4	8
TRP2D0790S08	7.9	27.7	73	74.4	8
TRP2D0800S08	8.0	28.0	73	74.5	8

形番	Dc	l	L	Lo	Ds
TRP2D0810S10	8.1	28.4	78	79.5	10
TRP2D0820S10	8.2	28.7	78	79.5	10
TRP2D0830S10	8.3	29.1	78	79.5	10
TRP2D0840S10	8.4	29.4	78	79.5	10
TRP2D0850S10	8.5	29.8	78	79.5	10
TRP2D0860S10	8.6	30.1	78	79.6	10
TRP2D0870S10	8.7	30.5	78	79.6	10
TRP2D0880S10	8.8	30.8	78	79.6	10
TRP2D0890S10	8.9	31.2	78	79.6	10
TRP2D0900S10	9.0	31.5	78	79.6	10
TRP2D0910S10	9.1	31.9	88	89.7	10
TRP2D0920S10	9.2	32.2	88	89.7	10
TRP2D0930S10	9.3	32.6	88	89.7	10
TRP2D0940S10	9.4	32.9	88	89.7	10
TRP2D0950S10	9.5	33.3	88	89.7	10
TRP2D0960S10	9.6	33.6	88	89.7	10
TRP2D0970S10	9.7	34.0	88	89.8	10
TRP2D0980S10	9.8	34.3	88	89.8	10
TRP2D0990S10	9.9	34.7	88	89.8	10
TRP2D1000S10	10.0	35.0	88	89.8	10
TRP2D1010S12	10.1	35.4	98	99.8	12
TRP2D1020S12	10.2	35.7	98	99.9	12
TRP2D1030S12	10.3	36.1	98	99.9	12
TRP2D1040S12	10.4	36.4	98	99.9	12
TRP2D1050S12	10.5	36.8	98	99.9	12
TRP2D1060S12	10.6	37.1	98	99.9	12
TRP2D1070S12	10.7	37.5	98	99.9	12
TRP2D1080S12	10.8	37.8	98	100.0	12
TRP2D1090S12	10.9	38.2	98	100.0	12
TRP2D1100S12	11.0	38.5	98	100.0	12
TRP2D1110S12	11.1	38.9	98	100.0	12
TRP2D1120S12	11.2	39.2	98	100.0	12
TRP2D1130S12	11.3	39.6	98	100.1	12
TRP2D1140S12	11.4	39.9	98	100.1	12
TRP2D1150S12	11.5	40.3	98	100.1	12
TRP2D1160S12	11.6	40.6	98	100.1	12
TRP2D1170S12	11.7	41.0	98	100.1	12
TRP2D1180S12	11.8	41.3	98	100.1	12
TRP2D1190S12	11.9	41.7	98	100.2	12
TRP2D1200S12	12.0	42.0	98	100.2	12

単位：mm

作成日 2022 / 6 / 28

検図 林

TRUSCO. トラスコ中山株式会社 品名 ソリッドドリル

品番